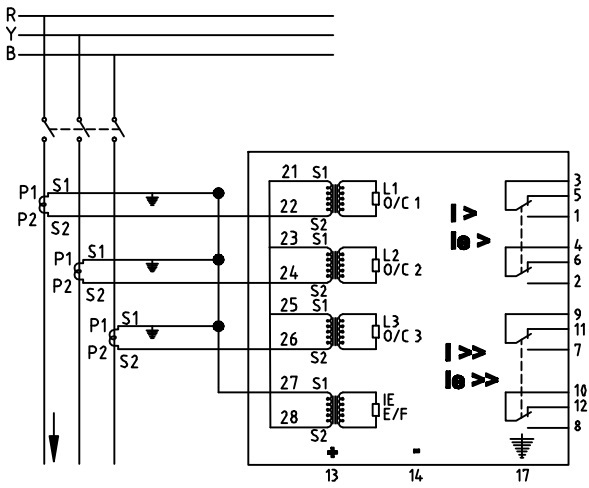


WIRING DIAGRAM : NUMERICAL OVER CURRENT & EARTH FAULT RELAY - PNA 442



**AUXILIARY SUPPLY
85 - 275 AC / DC**

**NOTE: FOR SHUNT RELEASE CONNECT "C" & "NO" CONTACTS
FOR UV RELEASE OR CONTACTOR COIL CONNECT "C" & "N/C"
CONTACTS SHOWING IN HEALTHY CONDITION
A & B - COMMUNICATION PORT - RS485**

1	2	28 WAY
3	4	EACH ACCEPTING
5	6	2-M4 RING TERMINAL
7	8	OR
9	10	2-M4.8 X 0.8 SNAP ON TERMINALS
11	12	OR
13	14	1-RING + 1 SNAP ON TERMINALS
15	16	
17	18	
19	20	
21	22	
23	24	
25	26	
27	28	

1 N/O	I >	2 N/O
3 C	I >	4 C
5 N/C	I >	6 N/C

7 N/O	I >	8 N/O
9 C	I >	10 C
11 N/C	I >	12 N/C

13 +VE	14 -VE
--------	--------

15	16
17	18
A 19	20 B
21	^{L1} s1-s2 22
23	^{L2} s1-s2 24
25	^{L3} s1-s2 26
27	^{EARTH} s1-s2 28